



**SCD-200**

**SCD-210**

**SFD-220**

**SFD-230**

**Conventional Sounders**

## Description

---

The SCD-200, SCD-210, SFD-220 and SFD-230 are conventional sounders and are compatible with DETNOV's conventional control panels and analog monitor units, and with the majority of the conventional panels in the market.

SCD-200 and SCD-210 sounder is a highly efficient, low current and 32 user-selectable tones sounder with EN54 Part 3 approval.

SFD-220 and SFD-230 combines a highly efficient, low current and 32 user-selectable tones sounder with a beacon that uses ultra-efficient LEDs.

Efficient acoustics using piezo technology means that the sound emits a high quality tone with minimal power consumption.

## Features

---

- Compatible with DETNOV's conventional control panels
- Very Low Current
- 32 user-selectable tones
- Volume settings (Low, medium, high)
- Highly efficient -9 at 34 mA depending on the tone
- Easy installation with base
- IP21 up to IP65 version available.

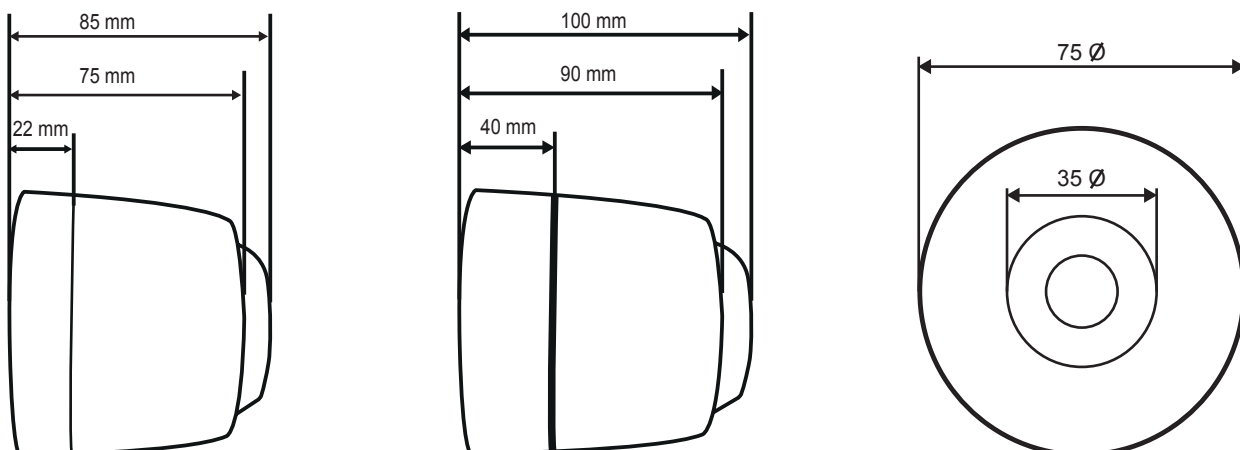
## Applications

Conventional sounders are the way to warn people in a building to start the evacuation procedure in case of alarm. They are the basic elements of warning people in any fire detection system installation.

## Technical features

Sounders	
Operating voltage:	From 21 to 28 VCC
Current consumption @24V:	9-34 mA depending on the tone
Volume Sounder:	78.3 dBA at 104.2 dBA depending on the tone
Volume Sounder with Flash:	76 dBA at 117 dBA depending on the tone
32 user-selectable tones Volume Setting (low, medium,high)	
Connections	
Screw terminals for 0.28 mm <sup>2</sup> to 2.5 mm <sup>2</sup>	
Environment	
Operating temperature:	From -10°C to 60°C
Relative humidity:	95% without condensation
IP index SCD-200	IP21C
IP index SCD-210	IP33C
IP index SFD-220	IP43
IP index SFD-230	IP65
Physical features:	
Size (height x Ø) Deep Base:	100 mm x 75 mm
Size (height x Ø) Shallow Base:	85 mm x 75 mm
Material:	ABS
Approvals	
EN54-3	
SCD-200 (VTG-32E-SB-R)	0370-CPR-1963
SCD-210 (VTG-32E-DB-R)	0370-CPR-1964

## Dimensions



\* Shallow Base (SCD-200 y SFD-220) \* Deep Base (SCD-210 y SFD-230)